

LOW EAVE (GUTTER)

ED3005 - UTTER EXTENSION TRIM

ED3010 - ON-SLOPE GUTTER - WALL PANEL

ED3040 - ON-SLOPE GUTTER - MASONRY WALL

ED3050 - ON-SLOPE GUTTER - SUPPORTING MASONRY WALL

ED3070 - ON-SLOPE GUTTER - NO WALL PANEL

ED3310 - HORIZONTAL GUTTER - WALL PANEL

ED3410 - HORIZONTAL GUTTER - MASONRY WALL

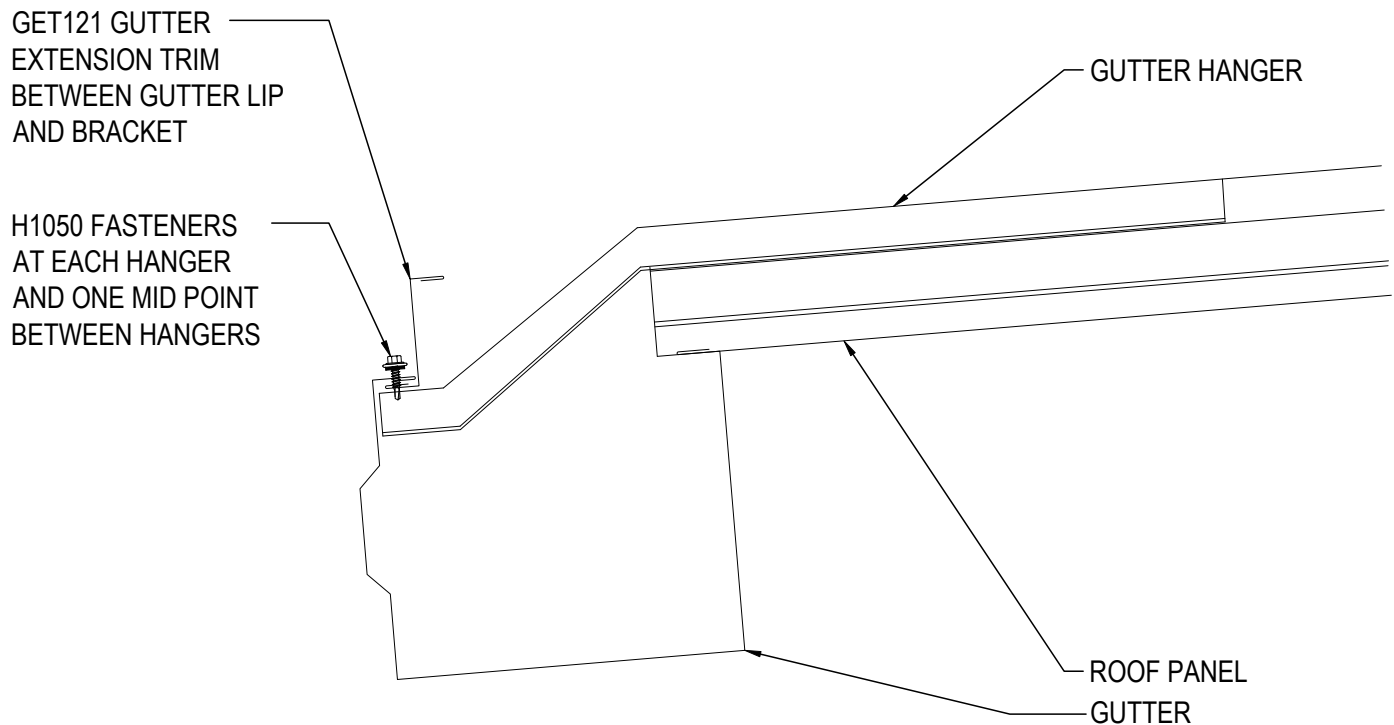
ED3610 - ON-SLOPE GUTTER - INSULATED WALL PANEL

ED3620 - HORIZONTAL GUTTER - INSULATED WALL PANEL

ED3005 - GUTTER EXTENSION TRIM

[Download the DWG file by clicking here.](#)

NOTE: IT IS RECOMMENDED TO TEMPORARILY FASTEN THE GUTTER EXTENSION TRIM TO THE GUTTER PRIOR TO INSTALLING GUTTER WITH POP RIVETS. THEN INSTALL FASTENERS AT TIME OF GUTTER INSTALLATION. SEE THE GUTTER INSTALLATION DETAIL FOR FURTHER INSTRUCTIONS.



GUTTER EXTENSION TRIM DETAIL

OPTIONAL GUTTER EXTENSION TRIM DETAIL

ED3005

Detailer Notes:

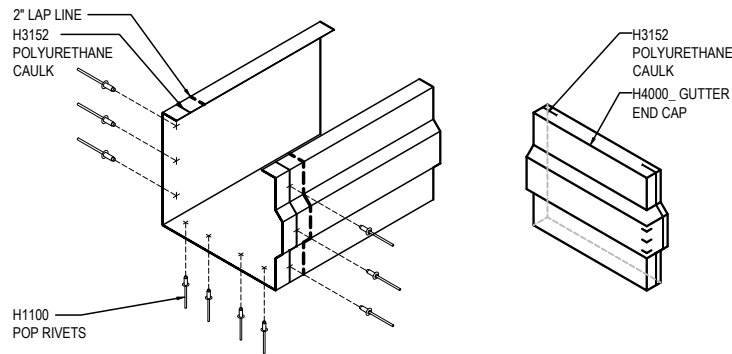
- 1) THIS DETAIL CAN BE USED WITH ANY PANEL TYPE - LOC SEAM / TRAPEZOIDAL / IMP / R-PANEL

ED3010 - ON-SLOPE GUTTER w/ WALL PANEL

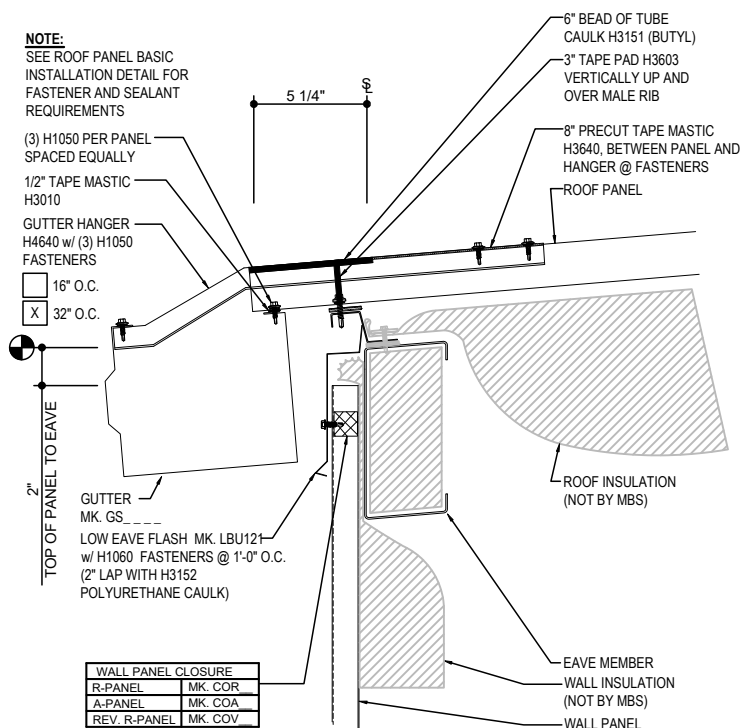
[Download the DWG file by clicking here.](#)

GUTTER LAP & END CAP

APPLY BEAD OF POLYURETHANE CAULK 1" FROM END OF TRIM AND LAP SECTIONS 2" AND FASTEN AS SHOWN. TO TERMINATE THE GUTTER APPLY POLYURETHANE CAULK TO THREE SIDES OF END CAP AND TOP RETURN AREA AS SHOWN AND INSERT INTO THE GUTTER LEAVING 1/2" EXPOSED. ATTACH WITH RIVETS SAME AS END LAP.



**NOTE 1: PANEL RIB MUST BE HAND CRIMPED 90°
(NOT 360°) PRIOR TO INSTALLING GUTTER BRACKET!**



ON-SLOPE GUTTER DETAIL

EAVE GUTTER DETAIL w/ WALL PANELS
SEE WALL SHEETING ERECTION NOTES FOR WALL PANEL FASTENER LOCATIONS

ED3010

Detailer Notes:

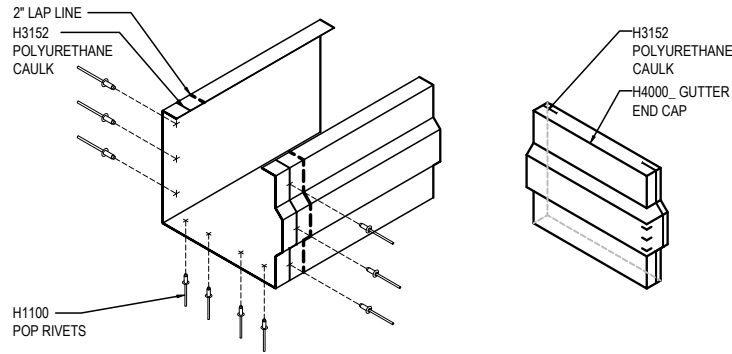
- 1) CLOSURES LOW EAVE LAYER DEFAULT IS ON. LAYER MUST BE TURNED OFF IF CLOSURES ARE NOT REQUIRED.

ED3040 - ON-SLOPE GUTTER w/ MASONRY WALL

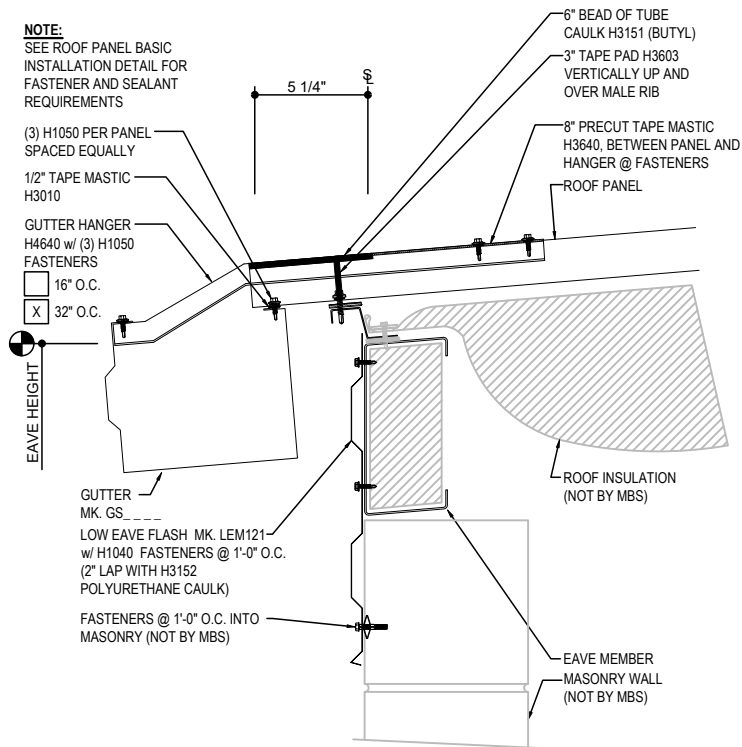
[Download the DWG file by clicking here.](#)

GUTTER LAP & END CAP

APPLY BEAD OF POLYURETHANE CAULK 1" FROM END OF TRIM AND LAP SECTIONS 2" AND FASTEN AS SHOWN. TO TERMINATE THE GUTTER APPLY POLYURETHANE CAULK TO THREE SIDES OF END CAP AND TOP RETURN AREA AS SHOWN AND INSERT INTO THE GUTTER LEAVING 1/2" EXPOSED. ATTACH WITH RIVETS SAME AS END LAP.



**NOTE 1: PANEL RIB MUST BE HAND CRIMPED 90°
(NOT 360°) PRIOR TO INSTALLING GUTTER BRACKET!**



ON-SLOPE GUTTER DETAIL

EAVE GUTTER DETAIL w/ MASONRY WALL

ED3040

Detailer Notes:

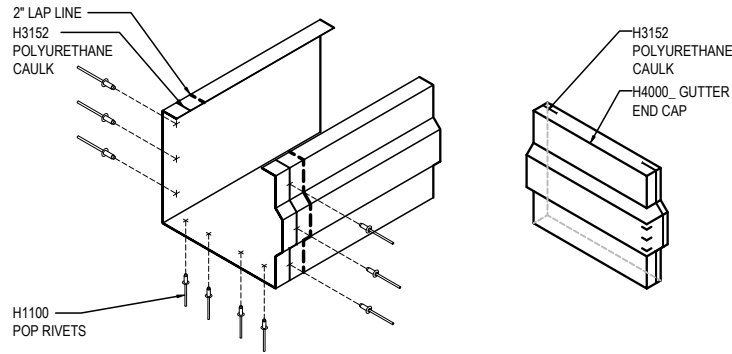
1) N/A

ED3050 - ON-SLOPE GUTTER w/ SUPPORTING MASONRY WALL

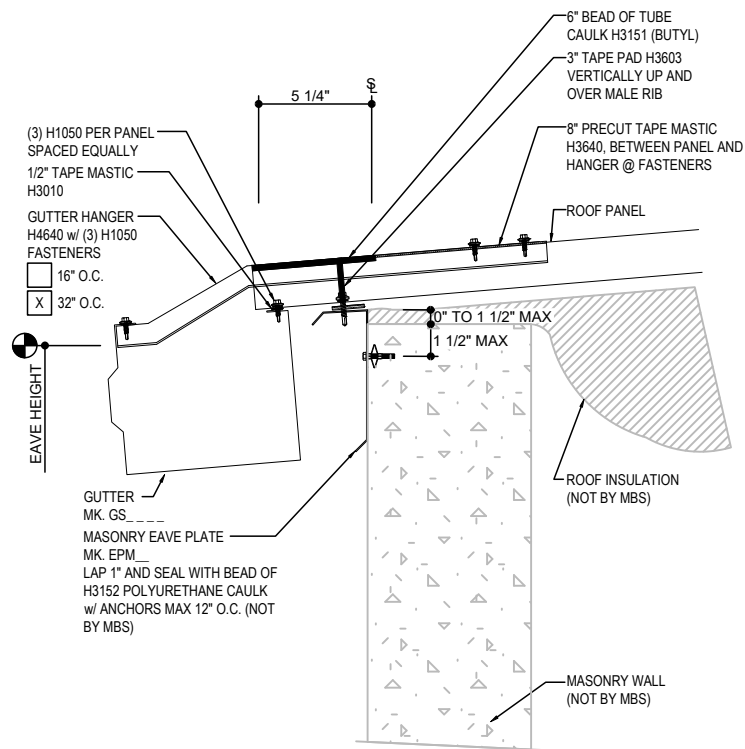
[Download the DWG file by clicking here.](#)

GUTTER LAP & END CAP

APPLY BEAD OF POLYURETHANE CAULK 1" FROM END OF TRIM AND LAP SECTIONS 2" AND FASTEN AS SHOWN. TO TERMINATE THE GUTTER APPLY POLYURETHANE CAULK TO THREE SIDES OF END CAP AND TOP RETURN AREA AS SHOWN AND INSERT INTO THE GUTTER LEAVING 1/2" EXPOSED. ATTACH WITH RIVETS SAME AS END LAP.



**NOTE 1: PANEL RIB MUST BE HAND CRIMPED 90°
(NOT 360°) PRIOR TO INSTALLING GUTTER BRACKET!**



ON-SLOPE GUTTER DETAIL

EAVE GUTTER DETAIL w/ SUPPORTING MASONRY WALL

ED3050

Detailer Notes:

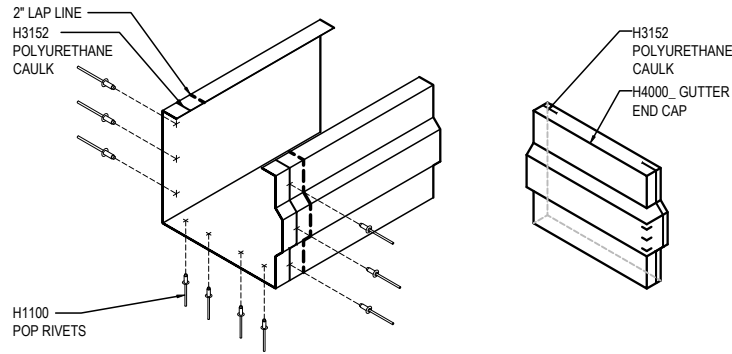
- 1) N/A

ED3070 - ON-SLOPE GUTTER w/ NO WALL PANEL

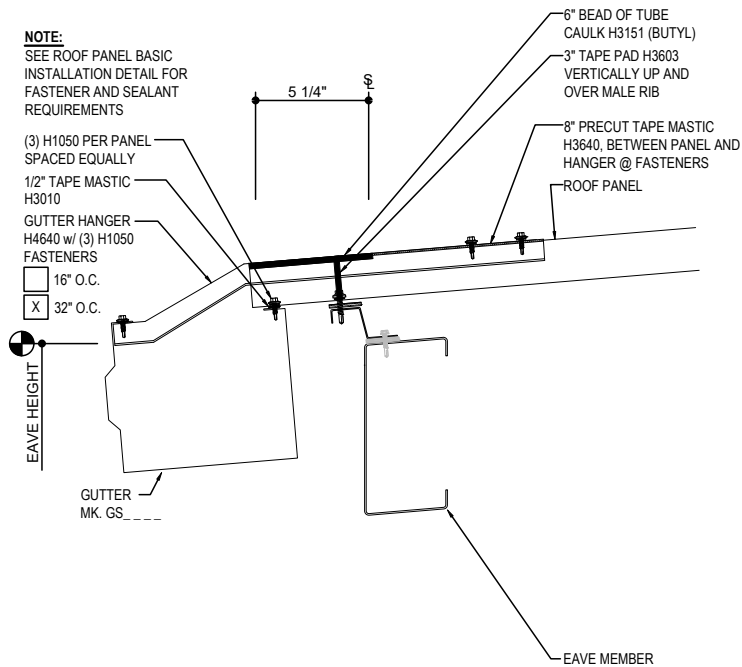
[Download the DWG file by clicking here.](#)

GUTTER LAP & END CAP

APPLY BEAD OF POLYURETHANE CAULK 1" FROM END OF TRIM AND LAP SECTIONS 2" AND FASTEN AS SHOWN. TO TERMINATE THE GUTTER APPLY POLYURETHANE CAULK TO THREE SIDES OF END CAP AND TOP RETURN AREA AS SHOWN AND INSERT INTO THE GUTTER LEAVING 1/2" EXPOSED. ATTACH WITH RIVETS SAME AS END LAP.



**NOTE 1: PANEL RIB MUST BE HAND CRIMPED 90°
(NOT 360°) PRIOR TO INSTALLING GUTTER BRACKET!**



ON-SLOPE GUTTER DETAIL

EAVE GUTTER DETAIL w/ NO WALL PANEL

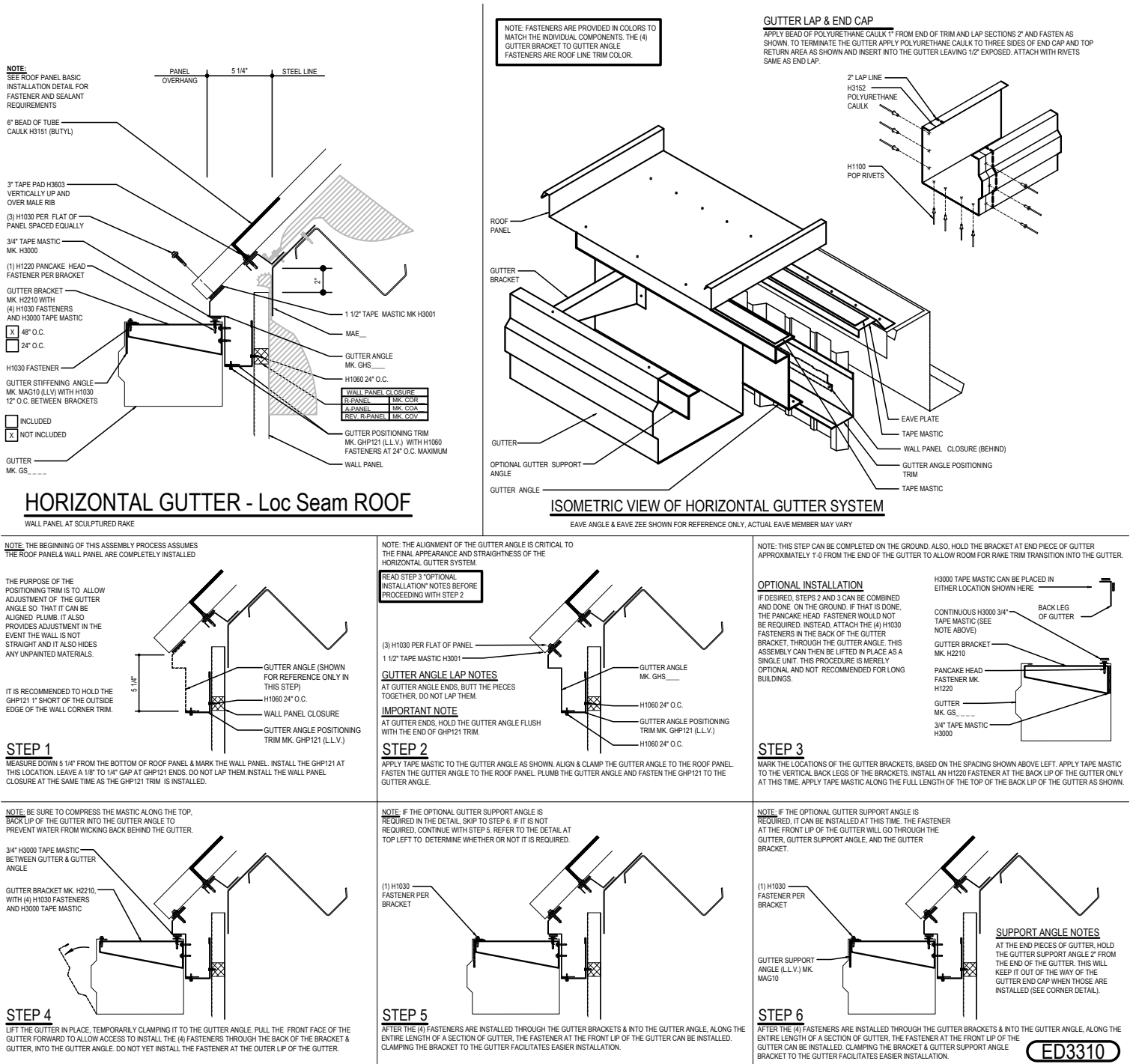
ED3070

Detailer Notes:

- 1) N/A

ED3310 - HORIZONTAL GUTTER w/ WALL PANEL

Download the DWG file by clicking [here](#).

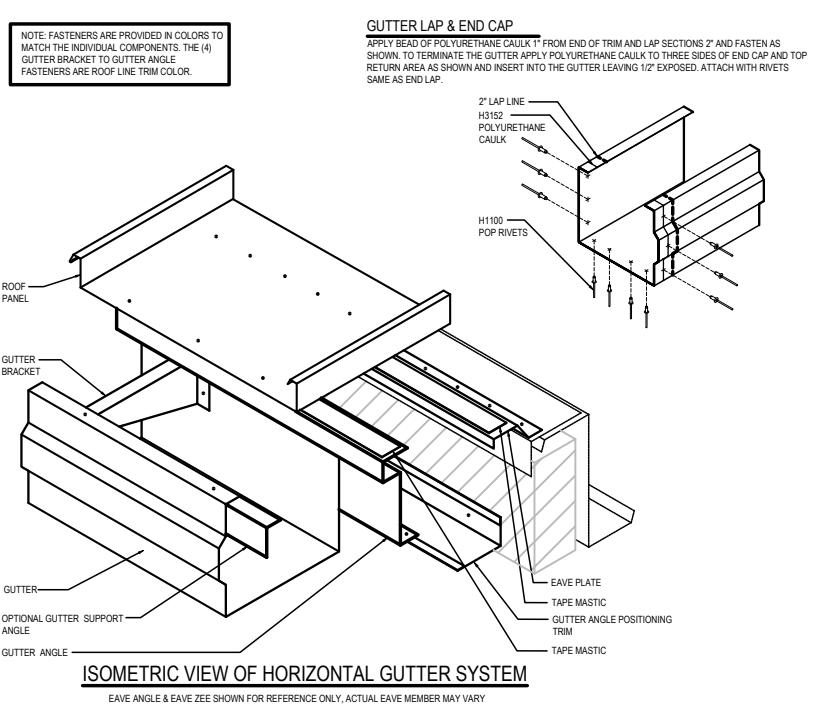
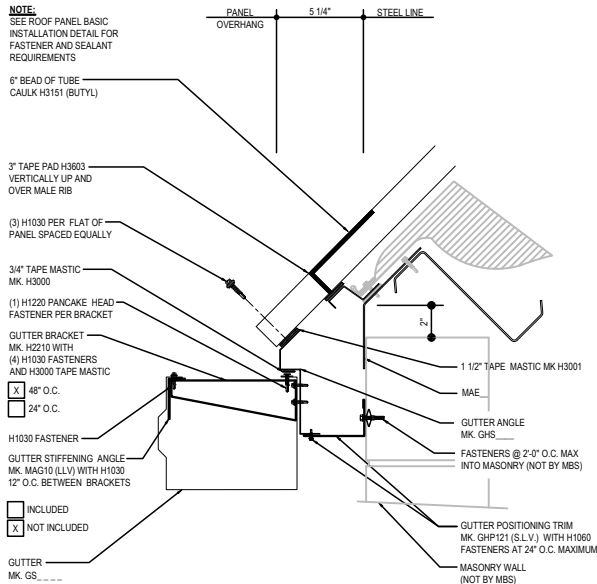


Detailer Notes:

- 1) CLOSURES LOW EAVE LAYER DEFAULT IS ON. LAYER MUST BE TURNED OFF IF CLOSURES ARE NOT REQUIRED.

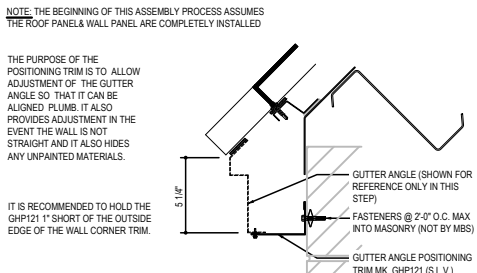
ED3410 - HORIZONTAL GUTTER w/ MASONRY WALL

Download the DWG file by clicking [here](#).



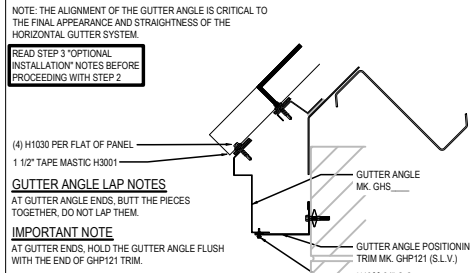
HORIZONTAL GUTTER - Loc Seam ROOF

HORIZONTAL GUTTER AT MASONRY WALL



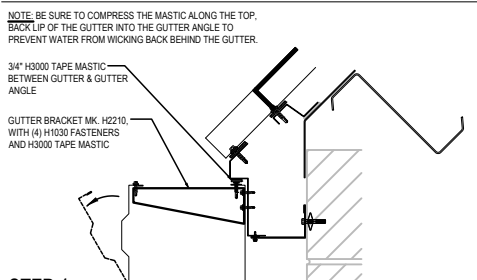
STEP 1

MEASURE DOWN 5 1/4" FROM THE BOTTOM OF ROOF PANEL & MARK THE WALL. INSTALL THE GHP121 AT THIS LOCATION. LEAVE A 1/8" TO 1/4" GAP AT GHP121 ENDS. DO NOT LAP THEM.



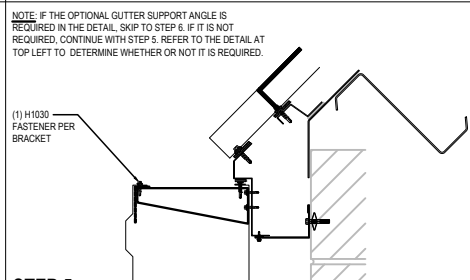
STEP 2

APPLY TAPE MASTIC TO THE GUTTER ANGLE AS SHOWN. ALIGN & CLAMP THE GUTTER ANGLE TO THE ROOF PANEL. FASTEN THE GUTTER ANGLE TO THE ROOF PANEL. PLUMB THE GUTTER ANGLE AND FASTEN THE GHP121 TO THE GUTTER ANGLE.



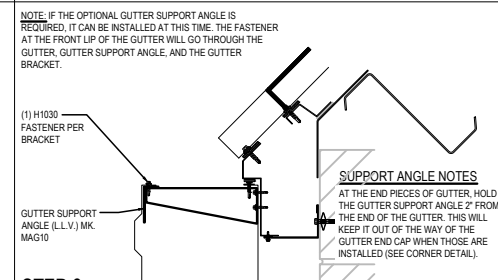
STEP 3

MARK THE LOCATIONS OF THE GUTTER BRACKETS. BASED ON THE SPACING SHOWN ABOVE LEFT. APPLY TAPE MASTIC TO THE VERTICAL BACK LEGS OF THE BRACKETS. INSTALL AN H1220 FASTENER AT THE BACK LIP OF THE GUTTER ONLY AT THIS TIME. APPLY TAPE MASTIC ALONG THE FULL LENGTH OF THE TOP OF THE BACK LIP OF THE GUTTER AS SHOWN.



STEP 4

LIFT THE GUTTER IN PLACE, TEMPORARILY CLAMPING IT TO THE GUTTER ANGLE. PULL THE FRONT FACE OF THE GUTTER FORWARD TO ALLOW ACCESS TO INSTALL THE (4) FASTENERS THROUGH THE BACK OF THE BRACKET & GUTTER, INTO THE GUTTER ANGLE. DO NOT YET INSTALL THE FASTENER AT THE OUTER LIP OF THE GUTTER.



STEP 5

AFTER THE (4) FASTENERS ARE INSTALLED THROUGH THE GUTTER BRACKETS & INTO THE GUTTER ANGLE, ALONG THE ENTIRE LENGTH OF A SECTION OF GUTTER, THE FASTENER AT THE FRONT LIP OF THE GUTTER CAN BE INSTALLED. CLAMPING THE BRACKET & GUTTER SUPPORT ANGLE BRACKET TO THE GUTTER FACILITATES EASIER INSTALLATION.

ED3410

Detailer Notes:

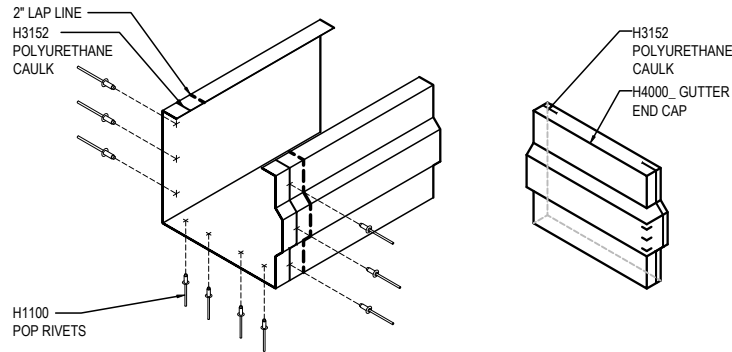
1) CLOSURES LOW EAVE LAYER DEFAULT IS ON. LAYER MUST BE TURNED OFF IF CLOSURES ARE NOT REQUIRED.

ED3610 - ON-SLOPE GUTTER w/ INSULATED WALL PANEL

[Download the DWG file by clicking here.](#)

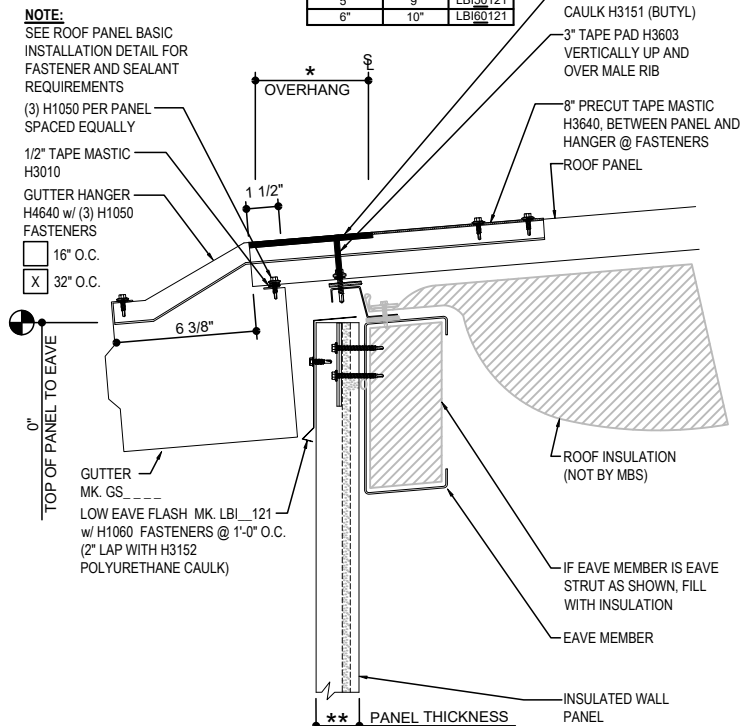
GUTTER LAP & END CAP

APPLY BEAD OF POLYURETHANE CAULK 1" FROM END OF TRIM AND LAP SECTIONS 2" AND FASTEN AS SHOWN. TO TERMINATE THE GUTTER APPLY POLYURETHANE CAULK TO THREE SIDES OF END CAP AND TOP RETURN AREA AS SHOWN AND INSERT INTO THE GUTTER LEAVING 1/2" EXPOSED. ATTACH WITH RIVETS SAME AS END LAP.



NOTE 1: PANEL RIB MUST BE HAND CRIMPED 90° (NOT 360°) PRIOR TO INSTALLING GUTTER BRACKET!

| OVERHANG DIMENSION | | |
|--------------------|------------|-----------|
| ** THICKNESS | * OVERHANG | LBI_121 |
| 2" | 6" | LBI/20121 |
| 2 1/2" | 6 1/2" | LBI/25121 |
| 3" | 7" | LBI/30121 |
| 4" | 8" | LBI/40121 |
| 5" | 9" | LBI/50121 |
| 6" | 10" | LBI/60121 |



ON-SLOPE GUTTER DETAIL

EAVE GUTTER DETAIL w/ INSULATED WALL PANELS
SEE INSULATED WALL SHEETING ERECTION DETAILS FOR INSTALLATION INSTRUCTIONS.

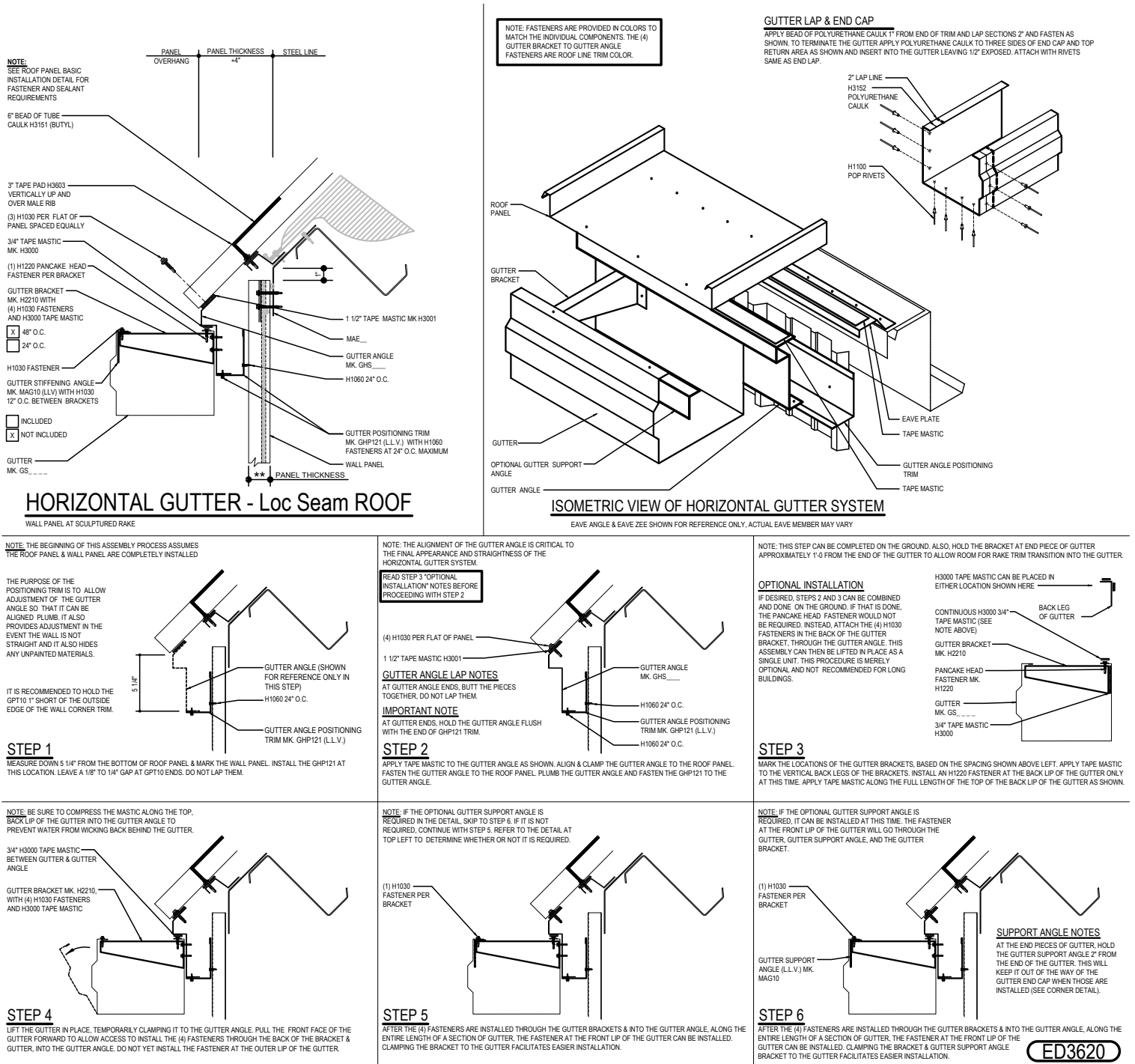
ED3610

Detailer Notes:

- 1) N/A

ED3620 - HORIZONTAL GUTTER w/ INSULATED WALL PANEL

Download the DWG file by clicking [here](#).



Detailer Notes:

- 1) CLOSURES LOW EAVE LAYER DEFAULT IS ON. LAYER MUST BE TURNED OFF IF CLOSURES ARE NOT REQUIRED.